

Chemetron Nitrogen

Fire Protection System



A UTC Fire & Security Company

Effective: February 2011

C-79-001

GENERAL INFORMATION

The Chemetron **Nitrogen** Fire Protection Systems are clean agent, automatic extinguishing systems using Nitrogen (IG-100) and consisting of four basic components and their associated accessories.

- Nitrogen Cylinders and Components
- Completer Kits
- Control Panels
- Detection and Alarm Devices

FEATURES

Chemetron's Nitrogen fire extinguishing systems utilizes pure Nitrogen. Nitrogen is naturally occurring and present in the atmosphere. Nitrogen is safe for use in occupied spaces and poses no threat to the environment.

- The Nitrogen Components consist of the agent cylinders, cylinder racking, and the agent discharge nozzles.
- The Completer Kits provide all the basic components necessary to operate the Nitrogen cylinders. The kits consist of hoses, connection fittings, pressure gauges, actuation devices required to operate the cylinder valve and warning signs to be displayed in the area(s) protected by a Nitrogen fire extinguishing system .
- The Control Panels vary in features and complexity but in all cases are used to monitor the detection, actuate the alarms, initiate the agent discharge and control auxiliary functions such as shut down of vital equipment and ventilation dampers.
- The Detection and Alarm devices provide fire detection by means of thermal or smoke detectors, and annunciation of the Nitrogen discharge.

NITROGEN

AGENT DESCRIPTION

Chemetron Nitrogen systems contain only naturally occurring Nitrogen and as such, has no ozone depletion potential and no direct global warming risk.

Nitrogen extinguishes by means of reducing the oxygen content within a room to the point at which fire can no longer burn, but without compromising the safety of individuals present. There are no toxicological factors associated with the use of Nitrogen. Nitrogen will not decompose or produce any by-products when exposed to a flame from a fire condition.

Most Nitrogen systems are designed to extinguish fires with a minimum agent concentration of 36% within one minute. This results in extinguishment of the fire and an oxygen concentration of 13%.

Nitrogen is stored as a gas within the cylinder assembly. It is available at a storage pressure of 2900 psi (200 bar).

Usable Cylinder Capacity

| Cylinder | Area Coverage @ 36% Concentration/70°F |
|----------|--|
| | 2900 psi (200 bar) |
| 80.0 L | 1175 ft ³ (33.27 M ³) |

EQUIPMENT DESCRIPTION

The Chemetron **Nitrogen** Fire Protection Systems can be released electrically, manually, or pneumatically. The following is a description of the various components associated with the systems.

CYLINDER AND VALVE ASSEMBLY

Nitrogen cylinders are available in an 80 Liter capacity cylinder. The 200 bar cylinders are uniquely color coded to allow for quick and easy identification. The cylinders are red with yellow/green at the cylinder shoulder. Because Nitrogen is stored as a gas, the cylinders have no dip tube and can be mounted in either the vertical or horizontal position.

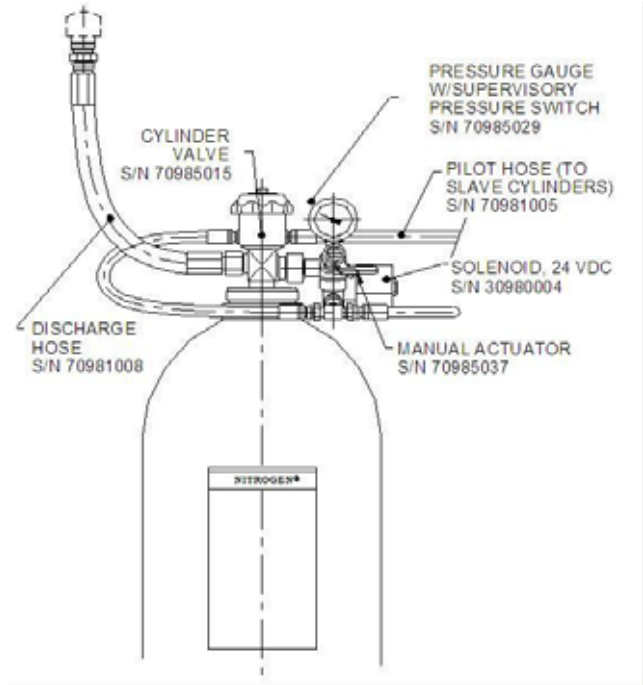
The cylinder valve, required for all system cylinders, allows for connection of the cylinders into the system. The valve provides connections for electric, pneumatic and manual release of the cylinder contents, as well as a discharge outlet, connected by a discharge hose, to the distribution piping.

The actuator operates on a 1 to 10 ratio requiring only 300 psi for the 200 bar system to operate the valve. The following are the connections provided on the valve.

| Cylinder Size | Dimension A | Dimension B (Diameter) |
|---------------|------------------------|------------------------|
| 80.0 L | 68.81" (1747.71 mm) | 11.25" (285.75 mm) |



Additional features of the valve include a **Burst Disk**, designed to rupture upon excessive internal pressure, and an external **Bleeder Valve** with indicator that allows bleed gas to vent to atmosphere.

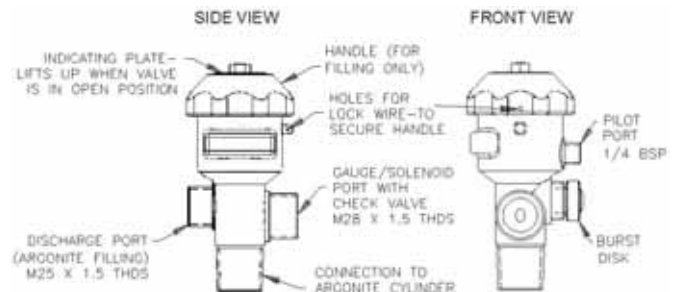


- Manual/Pneumatic Actuator Connection: Each cylinder valve must be fitted with either a Pilot or Slave type actuator.

The Pilot actuator provides a manual (pull pin - turn handle) actuator and connections from an electrical solenoid and pressure switch assembly. The pilot actuator also has connections to adjacent slave cylinder actuators to discharge entire groups of cylinders virtually simultaneously.

The Slave actuator is purely pneumatic - it receives pressure from the pilot actuator and opens its associated cylinder valve.

- Solenoid Valve, Pressure Gauge and Supervisory Pressure Switch Connection: This is a threaded port that serves for the connection of one of the following:
 - Solenoid Valve, Pressure Gauge and Supervisory Pressure Switch for pilot actuator connections.
 - Pressure Gauge and Supervisory Pressure Switch for slave actuator connections.
- Discharge Outlet: The cylinder valve outlet is connected to the distribution piping by a flexible hose with 1/2" steel fittings.



Nitrogen Cylinder Valve-S/N 70985015

| Filled Weight LBS (KSG) | Description | Stock # |
|--|------------------|----------|
| <ul style="list-style-type: none"> 80.0 Liter Cylinder Assy (filled cylinder/valve) | | |
| 324 (147.0) | DOT & TC Version | 10980090 |
| DOT = Department of Transportation (US) TC = Transportation Canada | | |

COMPLETER KIT COMPONENTS

Either a **PILOT** or a **SLAVE** completer kit is required to complete the installation of each Nitrogen cylinder.

| Description | Completer Kits | |
|--|---------------------|-------------------|
| | Primary 20980002 | Slave 20980003 |
| | Quantity | Quantity |
| Solenoid valve, 24 VDC | 1 | 0 |
| Pressure gauge w/Supervisory pressure switch | 1 | 1 |
| Manual release | 1 | 0 |
| Pilot hose #1 | 1 | 0 |
| Pilot hose #2 | 1 | 0 |
| Pilot hose #3 | 0 | 1 |
| Bleeder valve | 1 | 0 |
| Tee piece for hose connection | 2 | 1 |
| Discharge hose | 1 | 1 |
| Inlet stem assembly | 1 | 1 |
| Flex. Conduit Kit (pres. gauge) | 1 | 1 |
| Exit sign ("Warning, Leave area...") | 1 | 0 |

Explosionproof Primary Completer Kit S/N 20980094 Class I, Groups C & D; Class II, Groups E, F, & G; Divisions 1 & 2

The solenoid/pressure gauge assembly provides an electrical means (24VDC) of actuating the system as well as a visual means to determine the pressure within the pilot cylinder.

This unit includes an integral supervisory pressure switch and is supplied with a pilot flex hose #1. The supervisory pressure switch consists of one normally open (N.O.) contact that changes state upon loss of cylinder pressure.

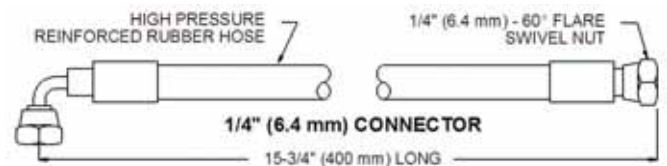
PRESSURE GAUGE ASSEMBLY WITH SUPERVISORY PRESSURE SWITCH (S/N 70985029)

This unit is required for the slave cylinders to provide a local visual means to determine the pressure within the slave cylinder.

The pressure gauge assembly includes an integral supervisory pressure switch, consisting of one N.O. contact that changes state upon loss of cylinder pressure.

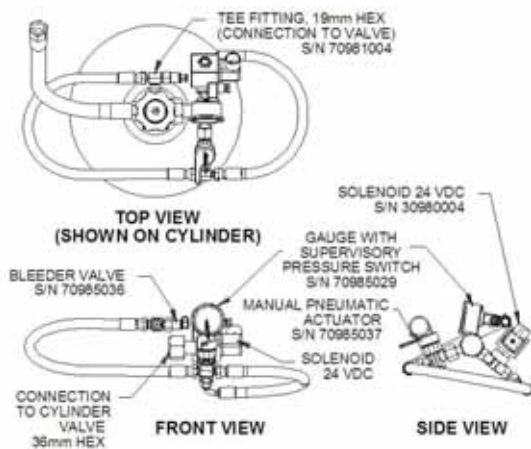
PILOT FLEX HOSE #1 (S/N 70981007)

This 1/4" ID reinforced rubber flex hose has threaded connections to allow interface between the pilot cylinder solenoid/pressure gauge assembly and pilot manual/pneumatic actuator. It is supplied with the pilot solenoid assembly.



MANUAL/PNEUMATIC ACTUATOR (S/N 70985037)

The manual/pneumatic actuator supplied with the pilot completer kit is required on the pilot cylinder to manually actuate the cylinder valve as well as to supply pressure to actuate any slave cylinders. Interconnection between cylinders is by means of high-pressure flex hoses.

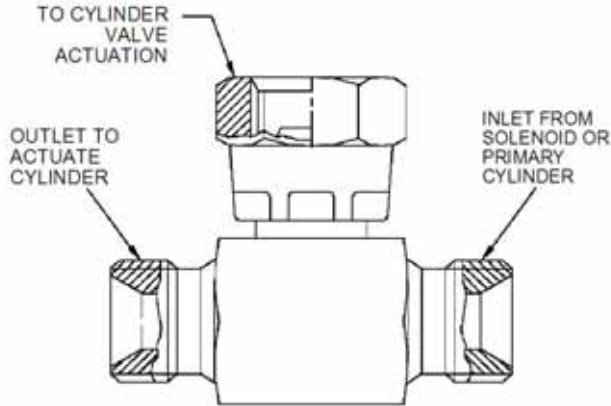


Solenoid and Pressure Gauge Assembly with Supervisory Pressure Switch



TEE PIECE FOR HOSE CONNECTIONS (S/N 70981004)

The tee piece is supplied with each of the completer kits. It provides the interface with the pilot assembly (through a high-pressure flex hose) to simultaneously operate the slave cylinder pneumatically.



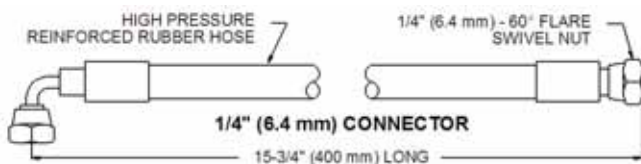
BLEEDER VALVE FOR ACTUATOR (S/N 70985036)

A bleeder valve is included with the Pilot Completer Kit to prevent an accidental accumulation of pressure within the pilot lines, which, if not bled to atmosphere, could cause a false discharge. Connection requires a copper gasket (S/N 70981013) between the bleeder valve and pneumatic actuator.

PILOT FLEX HOSES

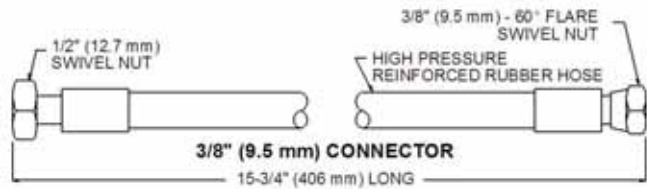
This 1/4" ID reinforced rubber flex hose has threaded connections to allow interface between components.

| S/N | Description | Length |
|----------|---|------------------|
| 70981015 | Pilot hose #2 between actuator and cylinder valve | 17-3/4" (450 mm) |
| 70981005 | Pilot hose #3 between cylinder actuation pieces | 10-5/8" (270 mm) |
| 70981006 | Pilot Hose #4 between cylinder rows | 19.7" (500 mm) |



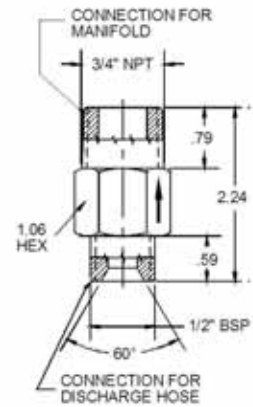
DISCHARGE FLEX HOSE (S/N 70981008)

This flex hose has 1/2" threaded connections to allow interface between the cylinder valves and the discharge manifold (if applicable). Where more than one cylinder is connected to a common manifold, check valves are required at the end of each discharge flex hose.



CHECK VALVE ASSEMBLY

To prevent accidental discharge of the Nitrogen into unintended areas, a check valve is required for each discharge hose in all multi-cylinder systems. All Chemetron manifolds are constructed of threaded pipe with welded check valve connections and include preinstalled check valves. All customer connections are via threaded pipe.

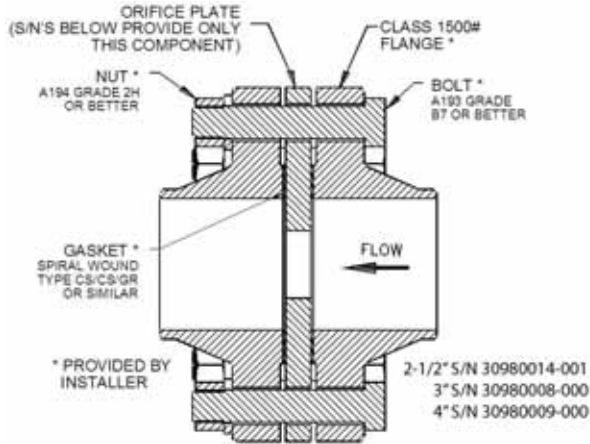


NOTE: For single cylinder systems, a 1/2" BSP x 1/2" FNPT adapter (S/N 70982128) is required to connect the discharge hose (BSP) to the Schedule 160 pipe (NPT).

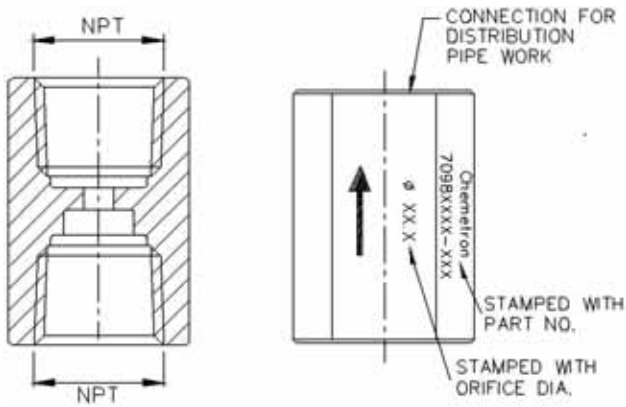
FLOW RESTRICTOR

The restrictor assembly reduces the initial Nitrogen pressure from the discharge manifold to approximately half (1500psi) before entering the discharge piping. The size of the orifice within the restrictor is determined through calculations based upon the required flow and discharge time.

Larger diameter restrictors, up to 4" (102 mm) connection, are available for very large system requirements. An orifice plate is custom drilled to the specific requirements of the project as determined by computerized flow calculations.



Flanged Restrictor Assembly for large system requirements. Only Orifice Plate provided.



Restrictor Female NPT/Female NPT = Sizes 1/2" to 2"

Flow Restrictor FNPT x FNPT

| Pipe Diameter (NPT) | S/N |
|---|----------|
| 1/2" (15 mm) Brass, Code 3.5 to 7.5 | 70984053 |
| 1" (25 mm) Brass, Code 5.0 to 13.0 | 70984054 |
| 1-1/2" (40 mm) Brass, Code 8.5 to 22.0 | 70984055 |
| 2" (50 mm) Stainless Steel, Code 11.5 to 27.0 | 70984056 |

When ordering, specify an 11 digit number, S/N plus the appropriate 3 digit orifice code, i.e., 70984054-050

SELECTOR VALVES/DIRECTIONAL VALVES

Nitrogen systems are particularly suited to the use of selector valves, where one central storage of agent is used to provide protection to two or more hazard areas. Selector valves are available in six sizes and are pneumatically operated. One common pressure regulator assembly is also required to reduce the actuation pressure to each set of selector valves.

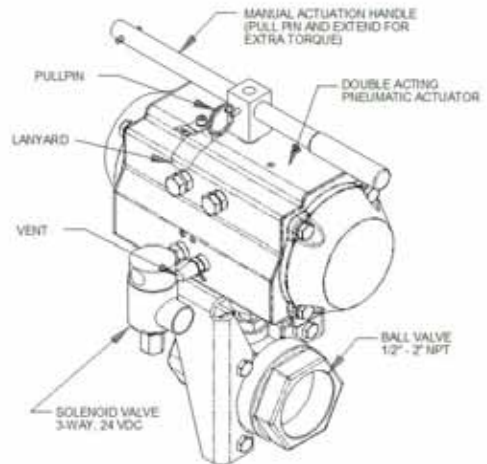
Selector Valve Assemblies

Assembly includes: selector valve w/actuator & reset handle, 24 VDC 3-way solenoid valve, operation nameplate, and pipe nipple connector (between solenoid and selector valve)

| Description | Stock Number | |
|-----------------------------------|--------------|-----------|
| | NEMA 4 | Exp-proof |
| 1/2" (15 mm) pipe dia. | 20980096 | 20980102 |
| 3/4" (20 mm) pipe dia. | 20980097 | 20980103 |
| 1" (25 mm) pipe dia. | 20980098 | 20980104 |
| 1-1/4" (32mm) pipe dia. | 20980099 | 20980105 |
| 1-1/2" (40 mm) pipe dia. | 20980100 | 20980106 |
| 2" (50 mm) pipe dia. | 20980101 | 20980107 |
| Pressure Regulator Kit (see note) | 20980095 | 20980095 |

Note: Kit includes regulator (120 psi preset) w/gauge & relief, 3/4" pressure relief (4350 psi), 1/4" NPT vented elbow, gauge adapter, gasket for adapter.

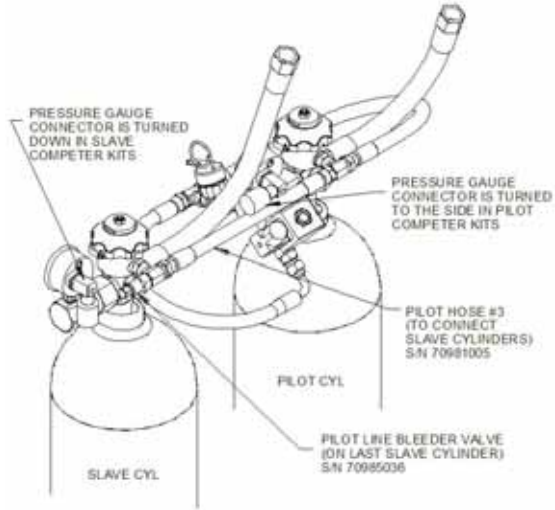
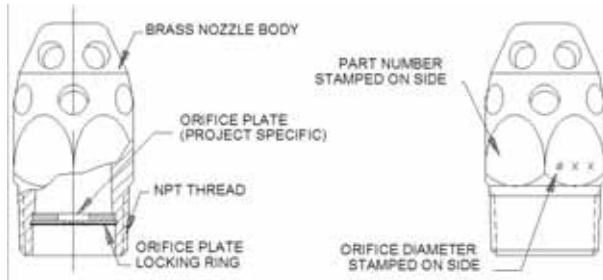
Explosionproof rating: Class I, Groups C & D; Class I, Groups E, F, & G; Divisions 1 & 2.



Selector Valve

NOZZLES

The brass discharge nozzles are available in four basic sizes - 1/2", 3/4", 1" and 1-1/2". Each is fitted with a drilled orifice to assure proper flow rates, agent quality and proper discharge timing as determined by flow calculations. Maximum nozzle spacing for room mounted nozzles should not exceed 35' 5" (10.8 M) square. Nozzle height should not exceed 16 feet (4.9 M) from a single layer of nozzles.

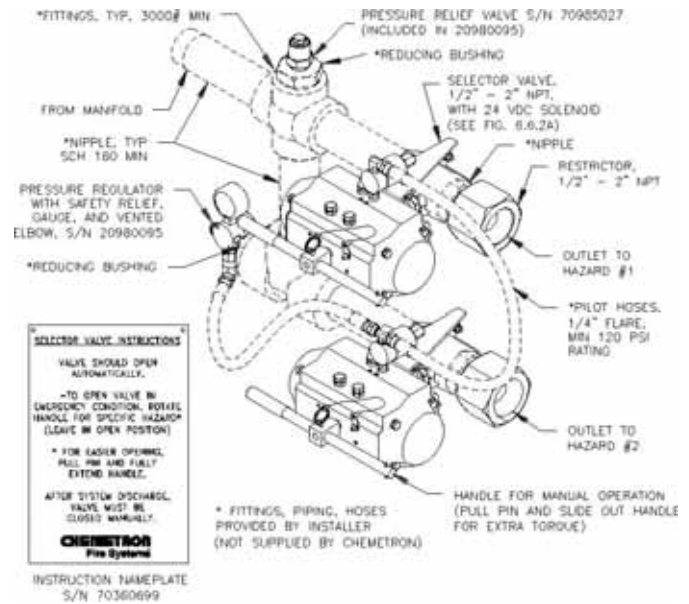


Nitrogen Slave Completer Kit 20980003

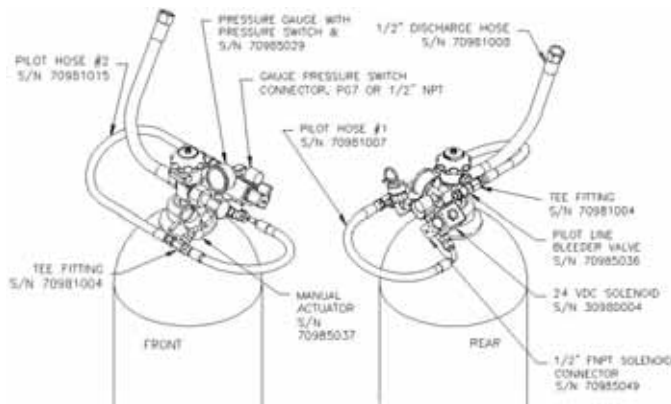
Nitrogen Discharge Nozzle

| Size (R) NPT | Orifice Dia. (1) | Height (H) | Width (W) | Stock Number |
|------------------|---------------------|--------------------|--------------------|-----------------|
| 1/2" (15 mm) | 03-10 mm | 1-9/16" (39 mm) | 7/8" (22 mm) | 70984041 |
| 3/4" (20 mm) | 04-13.5 mm | 1-7/8" (48 mm) | 1-1/8" (28 mm) | 70984042 |
| 1" (25 mm) | 05-17 mm | 2-3/8" (60 mm) | 1-7/16" (36 mm) | 70984043 |
| 1-1/2" (40mm) | 08-26 mm | 3-3/16" (81 mm) | 2" (50 mm) | 70984044 |

(1) An orifice plate within the nozzle is custom drilled to the specific requirements of the project as determined by computerized flow calculations.



Typical Selector Valve System Arrangement



Nitrogen Primary Completer Kit 20980002

This literature is provided for informational purposes only. Chemetron Fire Systems assumes no responsibility for the product's suitability for a particular application. The product must be properly applied to work correctly. If you need more information on this product, or if you have a particular question, contact Chemetron Fire Systems, Matteson, IL 60443. Telephone: (708) 748-1503.

4801 Southwick Drive, 3rd Floor
Matteson, IL 60443
Ph: 708-748-1503
Fax: 708-748-2847
www.chemetron.com

CHEMETRON
Fire Systems™
A UTC Fire & Security Company